

JELD WEN®

WINDOWS & DOORS

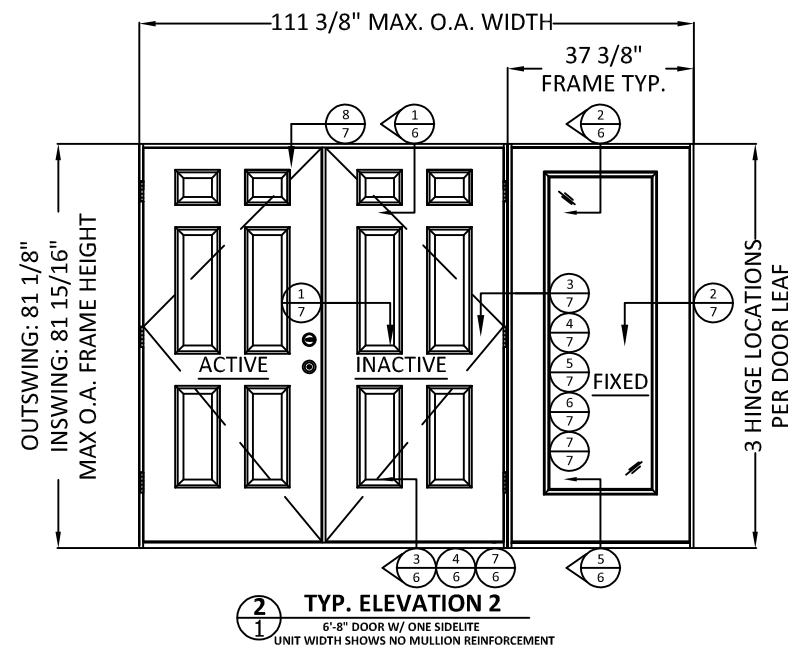
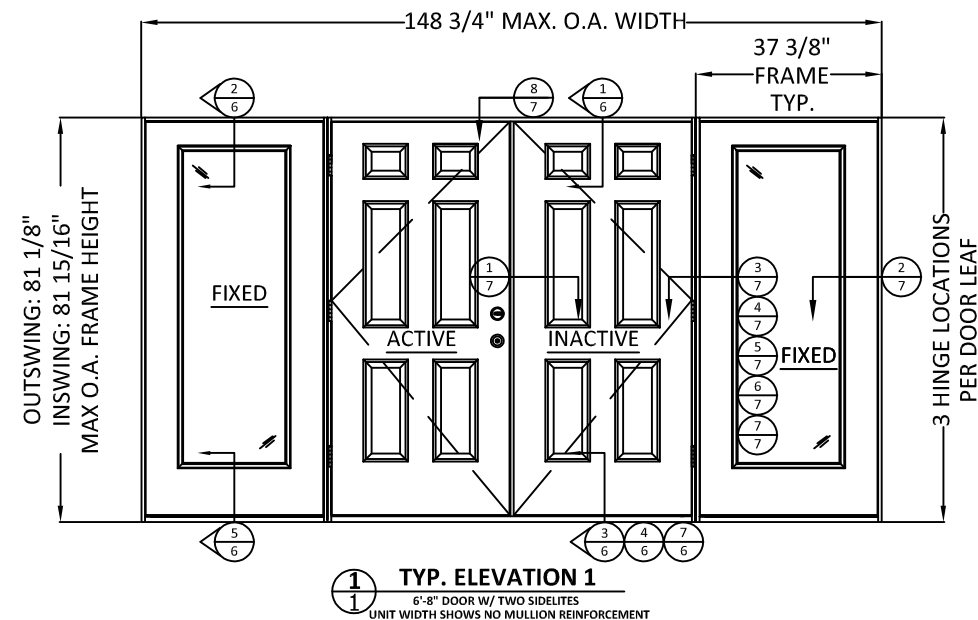
DESIGN PRO / SMOOTH PRO IMPACT APPROVED

FOR USE OUTSIDE THE HIGH VELOCITY HURRICANE ZONE (HVHZ)

GENERAL NOTES:

- THE PRODUCT SHOWN HEREIN IS DESIGNED AND MANUFACTURED TO COMPLY WITH THE CURRENT INTERNATIONAL BUILDING CODE (IBC), INTERNATIONAL RESIDENTIAL CODE (IRC), AND FLORIDA BUILDING CODE (FBC), **EXCLUDING** HVHZ AND HAS BEEN EVALUATED ACCORDING TO THE FOLLOWING:
 - ASTM E283-04
 - ASTM E330-02
 - ASTM E1886-05
 - ASTM E1996-06
 - AAMA 1304-02
- ADEQUACY OF THE EXISTING STRUCTURAL CONCRETE/MASONRY OR 2X FRAMING AS A MAIN WIND FORCE RESISTING SYSTEM CAPABLE OF WITHSTANDING AND TRANSFERRING APPLIED PRODUCT LOADS TO THE FOUNDATION IS THE RESPONSIBILITY OF THE ENGINEER OR ARCHITECT OF RECORD FOR THE PROJECT OF INSTALLATION.
- THE INSTALLATION DETAILS DESCRIBED HEREIN ARE GENERIC AND MAY NOT REFLECT ACTUAL CONDITIONS FOR A SPECIFIC SITE. IF SITE CONDITIONS CAUSE INSTALLATION TO DEVIATE FROM THE REQUIREMENTS DETAILED HEREIN, A LICENSED ENGINEER OR ARCHITECT SHALL PREPARE SITE SPECIFIC DOCUMENTS FOR USE WITH THIS DOCUMENT.
- APPROVED IMPACT PROTECTIVE SYSTEM **IS NOT REQUIRED** ON THIS PRODUCT IN AREAS REQUIRING IMPACT RESISTANCE FOR WIND ZONE 3 OR LESS.
- GLASS MEETS THE REQUIREMENTS OF ASTM E 1300 GLASS CHARTS. SEE SHEET 4 FOR GLAZING DETAILS.
- FIXED FULL LITE APPROVAL COVERS USE OF FRACTIONAL GLAZING, INCLUDING INTERNAL GRID, BLINDS BETWEEN GLASS, DECORATIVE, AND EXTERNAL WROUGHT IRON. RADIUS (SHAPED) LITES ARE QUALIFIED FOR 6'-8" DOORS AT DP +/-50 PSF ONLY.
- 6-PANEL DOOR SHOWN FOR ILLUSTRATION PURPOSES. ADDITIONAL PANEL CONFIGURATIONS AND FLUSH DOORS ARE QUALIFIED.
- NOTE: OPERATING AFCO H-497 SILL MEETS WATER INFILTRATION AT WATER TEST PRESSURE (WTP) OF 9.0 PSF. FIXED SIDELITE MEETS WATER INFILTRATION AT WTP OF 7.5 PSF. REMAINING SILLS NOT RATED FOR WATER INFILTRATION. IF AUTHORITY HAVING JURISDICTION REQUIRES THAT PRODUCT MEETS THIS REQUIREMENT, PRODUCT SHALL BE USED WHEN INSTALLED AT LOCATION PROTECTED BY OVERHANG SUCH THAT OVERHANG (OH) RATIO = OH LENGTH ÷ OH HEIGHT IS ≥ 1.0

TABLE OF CONTENTS		
SHEET	REVISION	SHEET DESCRIPTION
1	A	TYPICAL ELEVATIONS, DESIGN PRESSURES, AND GENERAL NOTES
2	A	ELEVATIONS
3	A	TYPICAL ANCHOR LAYOUTS AND NOTES
4	A	QUALIFIED CONFIGURATIONS & GLAZING DETAIL
5	-	OPTIONAL 2X BUCK ANCHORING DETAILS
6	-	VERTICAL ASSEMBLIES
7	-	HORIZONTAL ASSEMBLIES
8	-	WOOD SUBSTRATES
9	-	CONCRETE SUBSTRATES
10	A	COMPONENTS & BILL OF MATERIALS



- NOTES:**
- INACTIVE AND ACTIVE DOOR PANEL ORIENTATION IS INTERCHANGEABLE.
 - SIDELITE MAY BE USED IN LIEU OF DOOR IN CONFIGURATIONS SHOWN ABOVE AS LONG AS O.A. DIMENSIONS ARE NOT SURPASSED.

CONFIGURATION	MAX. OVERALL NOMINAL SIZE		DESIGN PRESSURE (PSF)								MISSILE IMPACT RATING
			FINGER-JOINTED PINE				ALL OTHER MATERIALS				
			INSWING		OUTSWING		INSWING		OUTSWING		
WIDTH	HEIGHT	POS.	NEG.	POS.	NEG.	POS.	NEG.	POS.	NEG.		
O,XX,O	12'-0"	6'-8"	50*	50	50*	50	50*	50	50*	50	LMI & SMI
O,XX,O RADIUS	12'-0"	6'-8"	50*	50	50*	50	50*	50	50*	50	LMI & SMI
O,XX,O	12'-0"	8'-0"	45*	45	45*	45	45*	45	45*	45	LMI & SMI
XX,O	9'-0"	6'-8"	50*	50	50*	50	50*	50	50*	50	LMI & SMI
XX,O RADIUS	9'-0"	6'-8"	50*	50	50*	50	50*	50	50*	50	LMI & SMI
XX,O	9'-0"	8'-0"	45*	45	45*	45	45*	45	45*	45	LMI & SMI

*SEE GENERAL NOTE 8, SHEET 1, FOR WATER INFILTRATION APPROVED SILLS.

PREPARED BY:



BUILDING DROPS, INC.
 398 E. DANIA BEACH BLVD., STE. 338
 DANIA BEACH, FL 33004
 PH: (954)399-8478
 FAX: (954)744.4738
 WEB: www.buildingdrops.com

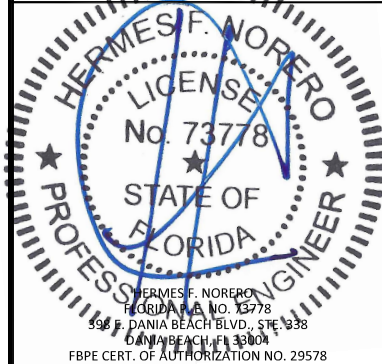
TITLE: DESIGN PRO/SMOOTH PRO
 IMPACT APPROVED
 TYPICAL ELEVATIONS, DESIGN PRESSURES, AND GENERAL NOTES

3737 LAKEPORT BLVD.,
 KLAMATH FALLS, OR 97601
 PH: (541)882-3451
 FAX: (541)850-2609



REMARKS	BY	DATE
Add Multi-Point Lock & Radius Lt	GL	06/23/14
Reference DWG. #A010857A	AM	09/09/19

THE INSTALLATION DETAILS DESCRIBED HEREIN ARE GENERIC AND MAY NOT REFLECT ACTUAL CONDITIONS FOR A SPECIFIC SITE. IF SITE CONDITIONS CAUSE INSTALLATION TO DEVIATE FROM THE REQUIREMENTS DETAILED HEREIN, A LICENSED ENGINEER OR ARCHITECT SHALL PREPARE SITE SPECIFIC DOCUMENTS FOR USE WITH THIS DOCUMENT.



DATE: 02.05.14

DWG. BY: GL/TJM CHK. BY: SS/MSS

SCALE: NTS

DWG. #: D015700

SHEET: OF 10

PREPARED BY:



BUILDING DROPS, INC.
 398 E. DANIA BEACH BLVD., STE. 338
 DANIA BEACH, FL 33004
 PH: (954)399-8478
 FAX: (954)744.4738
 WEB: www.buildingdrops.com

DESIGN PRO/SMOOTH PRO
 IMPACT APPROVED

ELEVATIONS

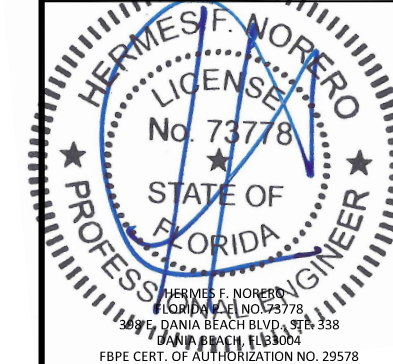
3737 LAKEPORT BLVD.,
 KLAMATH FALLS, OR 97601
 PH: (541)882-3451
 FAX: (541)850-2609

JELD-WEN
 WINDOWS & DOORS

TITLE:

REMARKS	BY	DATE
Add Multi-Point Lock & Radius Lt	GL	06/23/14
Reference DWG. #A010857A	AM	09/09/19

THE INSTALLATION DETAILS DESCRIBED HEREIN ARE GENERIC AND MAY NOT REFLECT ACTUAL CONDITIONS FOR A SPECIFIC SITE. IF SITE CONDITIONS CAUSE INSTALLATION TO DEVIATE FROM THE REQUIREMENTS DETAILED HEREIN, A LICENSED ENGINEER OR ARCHITECT SHALL PREPARE SITE SPECIFIC DOCUMENTS FOR USE WITH THIS DOCUMENT.



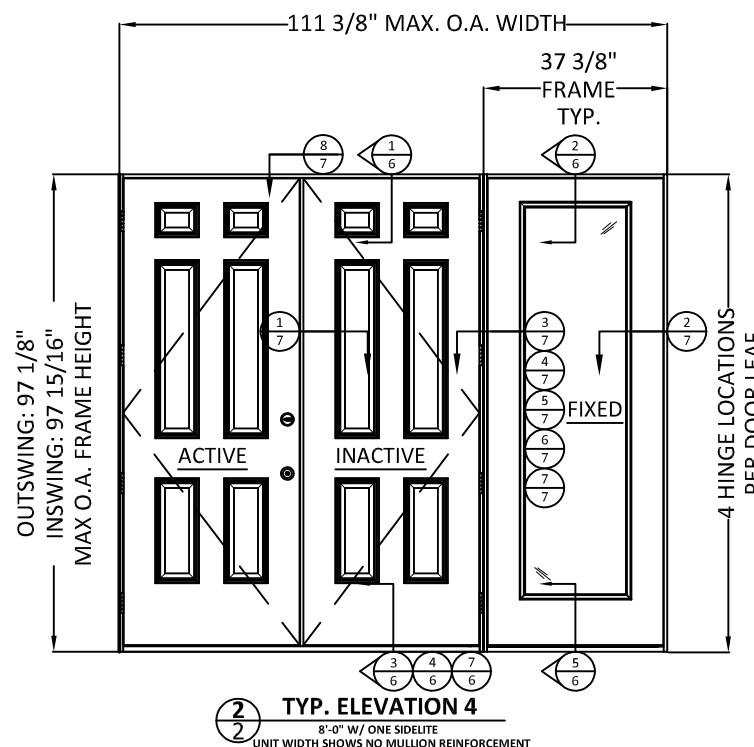
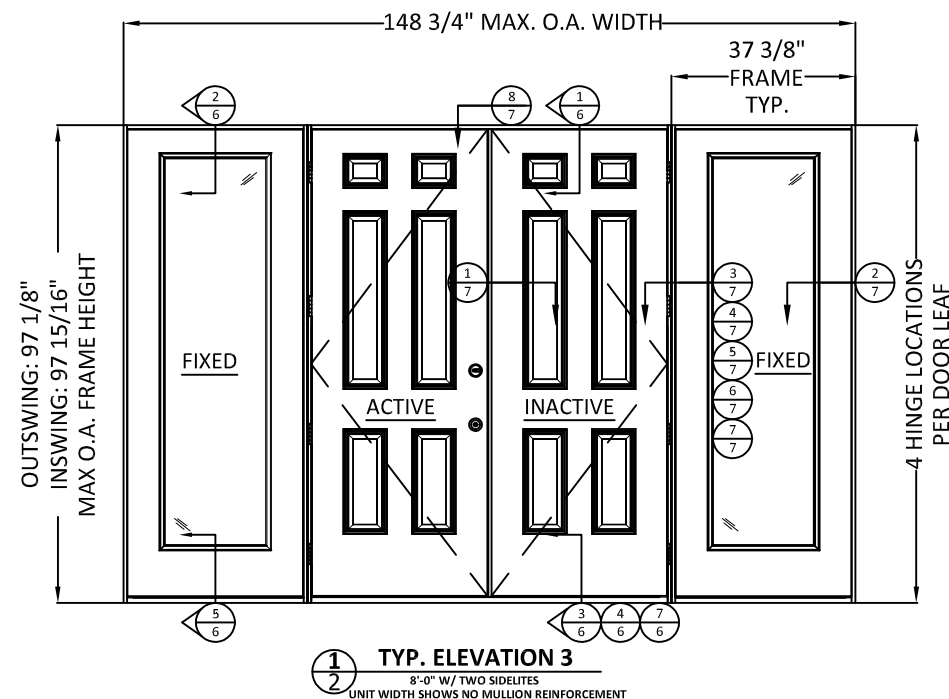
DATE: 02.05.14

DWG. BY: GL/TJM | CHK. BY: SS/MSS

SCALE: NTS

DWG. #: D015700

SHEET: OF10



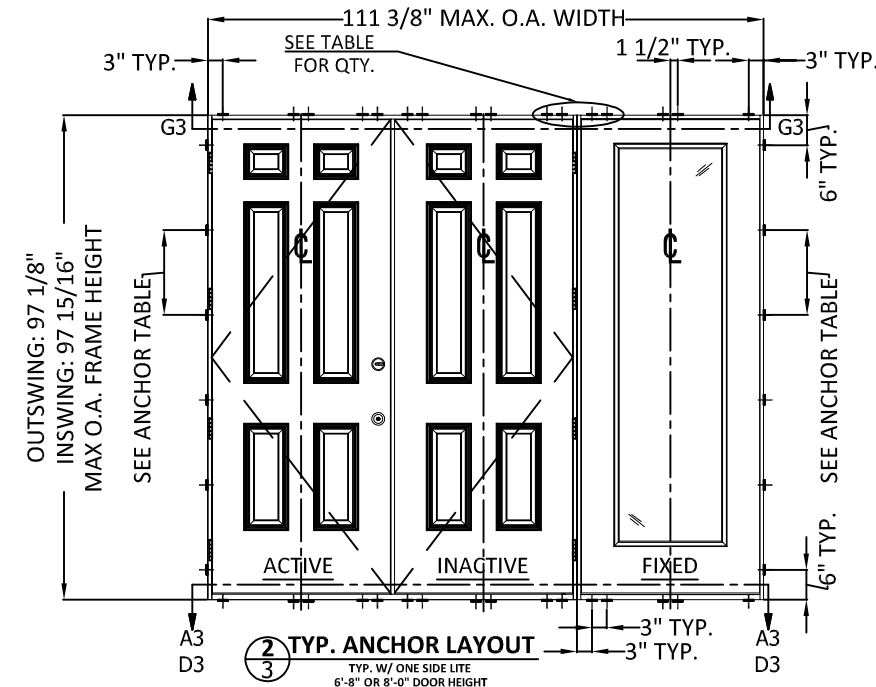
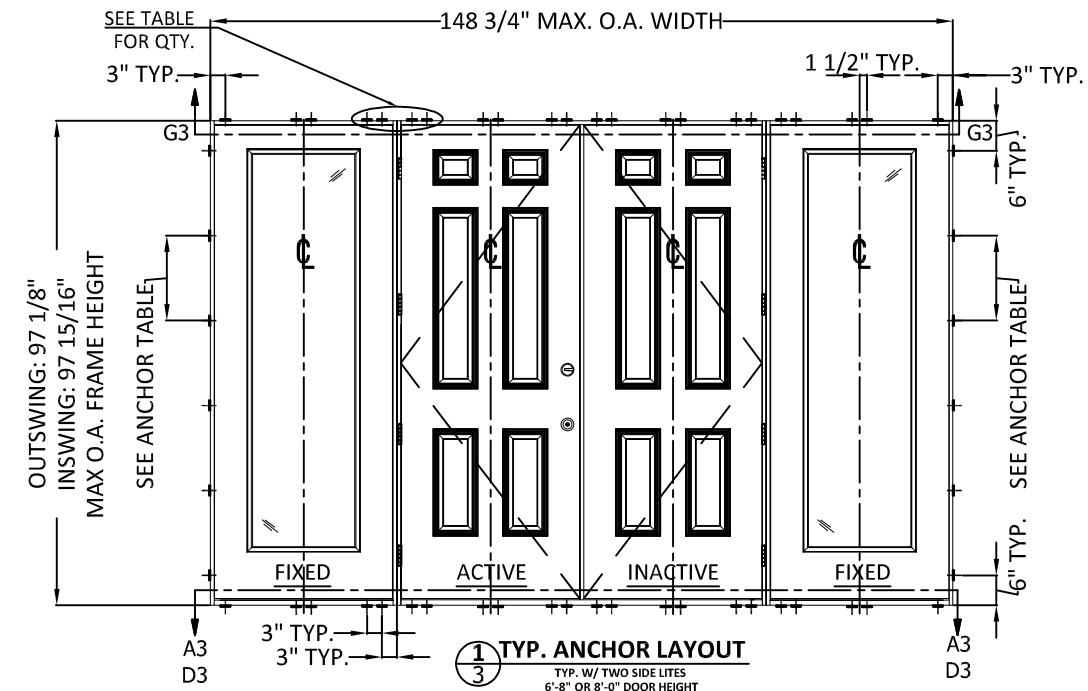
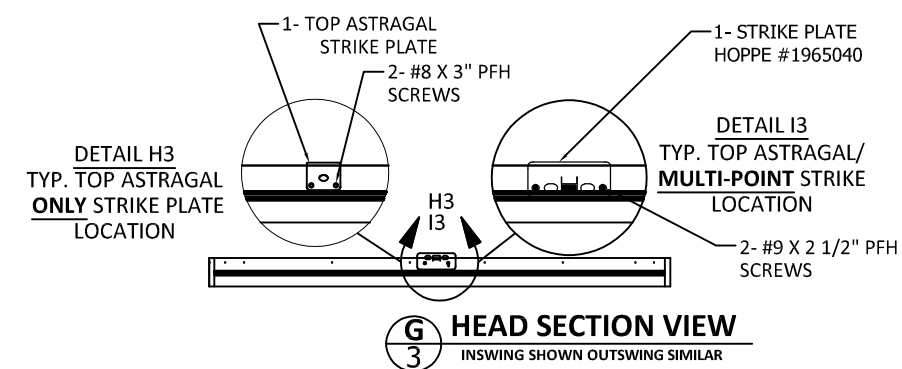
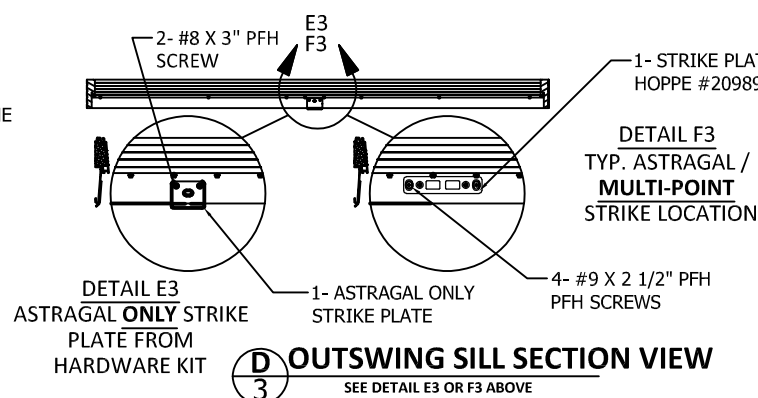
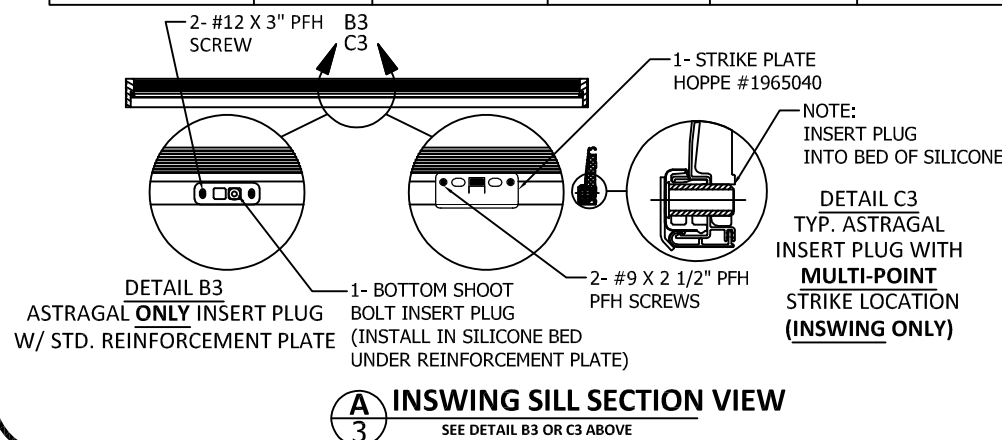
NOTES:

- INACTIVE AND ACTIVE DOOR PANEL ORIENTATION IS INTERCHANGEABLE.
- SIDELITE MAY BE USED IN LIEU OF DOOR IN CONFIGURATIONS SHOWN ABOVE AS LONG AS O.A. DIMENSIONS ARE NOT SURPASSED.

INSTALLATION NOTES:

- ONE (1) INSTALLATION ANCHOR IS REQUIRED AT EACH ANCHOR LOCATION SHOWN.
- SHIM AS REQUIRED AT EACH INSTALLATION ANCHOR WITH LOAD BEARING SHIM(S). MAXIMUM ALLOWABLE SHIM STACK TO BE 1/4 INCH. SHIM WHERE SPACE OF 1/16 INCH OR GREATER OCCURS. SHIM(S) SHALL BE CONSTRUCTED OF HIGH DENSITY PLASTIC OR BETTER.
- MINIMUM EMBEDMENT AND EDGE DISTANCE EXCLUDE WALL FINISHES, INCLUDING BUT NOT LIMITED TO STUCCO, FOAM, BRICK VENEER, AND SIDING.
- INSTALLATION ANCHORS AND ASSOCIATED HARDWARE MUST BE MADE OF CORROSION RESISTANT MATERIAL OR HAVE A CORROSION RESISTANT COATING, AND SHALL BE INSTALLED IN ACCORDANCE WITH ANCHOR MANUFACTURER'S INSTALLATION INSTRUCTIONS.
- FOR HOLLOW BLOCK AND GROUT FILLED BLOCK, DO NOT INSTALL INSTALLATION ANCHORS INTO MORTAR JOINTS. EDGE DISTANCE IS MEASURED FROM FREE EDGE OF BLOCK OR EDGE OF MORTAR JOINT INTO FACE SHELL OF BLOCK.
- FOR 2X STUD CONSTRUCTION, ANCHORING OF THESE PRODUCTS SHALL BE THE SAME AS FOR 2X BUCK CONCRETE/MASONRY CONSTRUCTION.
- INSTALLATION ANCHOR CAPACITIES FOR PRODUCTS HEREIN ARE BASED ON SUBSTRATE MATERIALS WITH THE FOLLOWING PROPERTIES:
 - WOOD - MINIMUM SPECIFIC GRAVITY OF 0.55.
 - CONCRETE -MINIMUM COMPRESSIVE STRENGTH OF 3000 PSI.
 - GROUT-FILLED CMU- UNIT STRENGTH CONFORMS TO ASTM C-90 WITH MINIMUM COMPRESSIVE STRENGTH OF 2000 PSI AND GROUT CONFORMS TO ASTM C 476, MINIMUM GROUT COMPRESSIVE STRENGTH OF 2000 PSI.
 - HOLLOW BLOCK CMU - UNIT STRENGTH CONFORMS TO ASTM C-90 WITH MINIMUM COMPRESSIVE STRENGTH OF 2000 PSI.
- SEE SHEETS 8 AND 9 FOR MORE DETAILS OF THE INSTALLATION REQUIREMENTS, INCLUDING ANCHOR LOCATIONS, EDGE DISTANCES, EMBEDMENTS, AND SHIM SPACING.
- OPTIONALLY, ANCHORS CAN BE PLACED IN NARROW SECTION OF HEAD OR JAMB AS LONG AS MINIMUM EMBEDMENT AND EDGE DISTANCE ARE ACHIEVED.

ANCHOR TABLE								
ANCHOR TYPE	ANCHOR SIZE	SUBSTRATE	MIN. EMBEDMENT	MIN. EDGE DISTANCE	6'8" DOORS		8'0" DOORS	
					MAX. O.C. SPACING AT JAMBS	# OF ANCHORS AT HEAD/SILL CLUSTERS	MAX. O.C. SPACING AT JAMBS	# OF ANCHORS AT HEAD/SILL CLUSTERS
WOOD SCREW	#10	2X WOOD BUCK OR FRAMING	1-1/2"	3/4"	17-1/2"	4	17-1/4"	4
ITW TAPCON	3/16"	CONCRETE/CMU	1-1/4"	2-1/2"	17-1/2"	4	17-1/4"	4
ELCO ULTRACON	1/4"	CONCRETE/CMU	1-3/8" - CONC. 1-1/4" - CMU	1"	17-1/2"	4	17-1/4"	4
ITW TAPCON	3/16"	CONCRETE/CMU	1-1/4"	1"	11-5/8"	8	14-3/8"	6



- NOTES:**
- INACTIVE AND ACTIVE DOOR PANEL ORIENTATION IS INTERCHANGEABLE.
 - SIDELITE MAY BE USED IN LIEU OF DOOR IN CONFIGURATIONS SHOWN ABOVE AS LONG AS O.A. DIMENSIONS ARE NOT SURPASSED.

PREPARED BY:



BUILDING DROPS, INC.
398 E. DANIA BEACH BLVD., STE. 338
DANIA BEACH, FL 33004
PH: (954)399-8478
FAX: (954)744.4738
WEB: www.buildingdrops.com

DESIGN PRO/SMOOTH PRO
IMPACT APPROVED
TYPICAL ANCHOR LAYOUTS AND NOTES

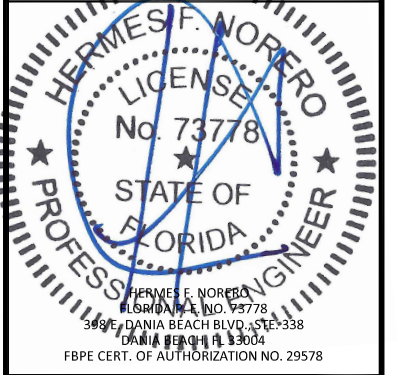
3737 LAKEPORT BLVD.,
KLAMATH FALLS, OR 97601
PH: (541)882-3451
FAX: (541)850-2609

JELD-WEN
WINDOWS & DOORS

TITLE:

REMARKS	BY	DATE
Add Multi-Point Lock & Radius Lt	GL	06/23/14
Reference DWG. #A010857A	AM	09/09/19

THE INSTALLATION DETAILS DESCRIBED HEREIN ARE GENERIC AND MAY NOT REFLECT ACTUAL CONDITIONS FOR A SPECIFIC SITE. IF SITE CONDITIONS CAUSE INSTALLATION TO DEVIATE FROM THE REQUIREMENTS DETAILED HEREIN, A LICENSED ENGINEER OR ARCHITECT SHALL PREPARE SITE SPECIFIC DOCUMENTS FOR USE WITH THIS DOCUMENT.



DATE:	02.05.14
DWG. BY:	GL/TJM
CHK. BY:	SS/MSS
SCALE:	NTS
DWG. #:	D015700
SHEET:	OF 10

PREPARED BY:



BUILDING DROPS, INC.
 398 E. DANIA BEACH BLVD., STE. 338
 DANIA BEACH, FL 33004
 PH: (954)399-8478
 FAX: (954)744.4738
 WEB: www.buildingdrops.com

DESIGN PRO/SMOOTH PRO
 IMPACT APPROVED
 QUALIFIED CONFIGURATIONS
 & GLAZING DETAIL

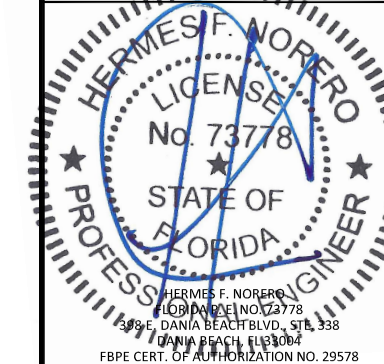
3737 LAKEPORT BLVD.,
 KLAMATH FALLS, OR 97601
 PH: (541)882-3451
 FAX: (541)850-2609

JELD-WEN
 WINDOWS & DOORS

TITLE:

REMARKS	BY	DATE
Add Multi-Point Lock & Radius Lt	GL	06/23/14
Reference DWG. #A010857A	AM	09/09/19

THE INSTALLATION DETAILS DESCRIBED HEREIN ARE GENERIC AND MAY NOT REFLECT ACTUAL CONDITIONS FOR A SPECIFIC SITE. IF SITE CONDITIONS CAUSE INSTALLATION TO DEVIATE FROM THE REQUIREMENTS DETAILED HEREIN, A LICENSED ENGINEER OR ARCHITECT SHALL PREPARE SITE SPECIFIC DOCUMENTS FOR USE WITH THIS DOCUMENT.



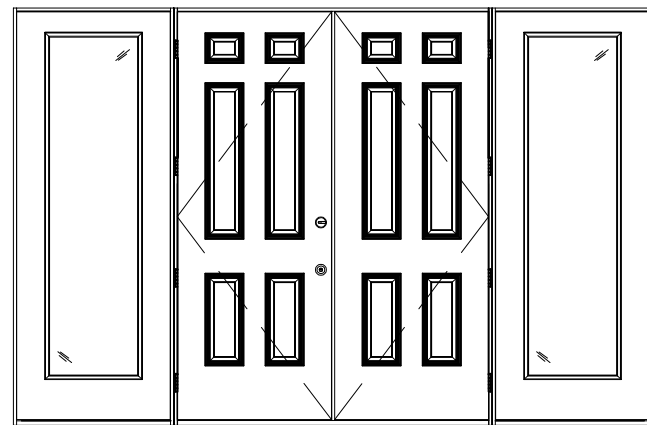
DATE: 02.05.14

DWG. BY: GL/TJM | CHK. BY: SS/MSS

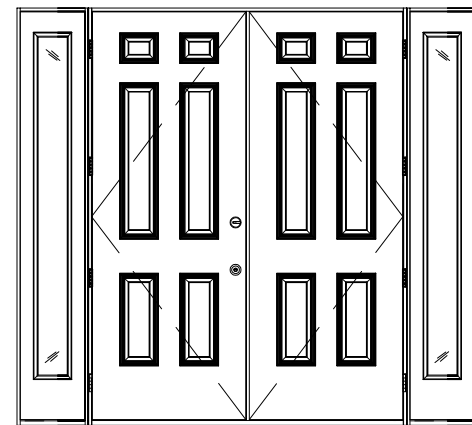
SCALE: NTS

DWG. #: D015700

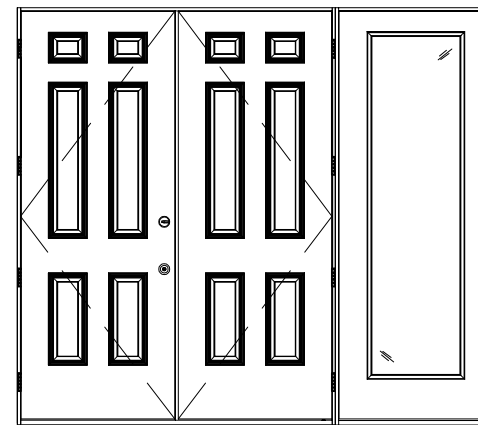
SHEET: OF10



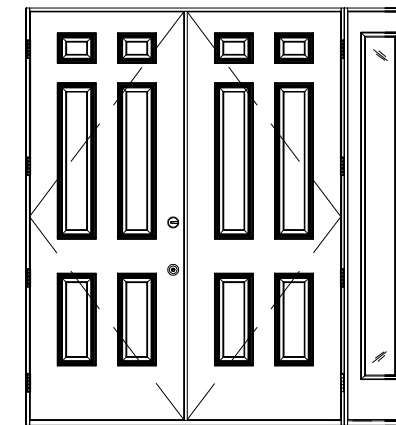
1
O,XX,O ELEVATION
 WITH 3'0" SIDELITES



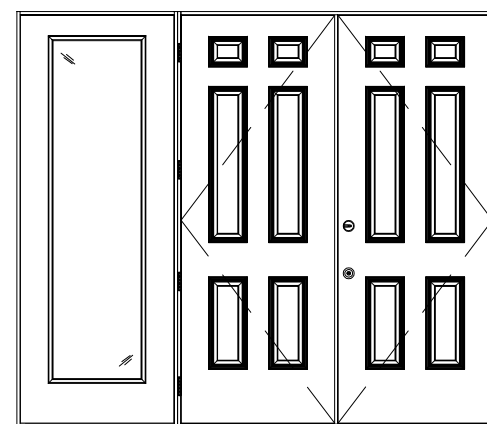
2
O,XX,O ELEVATION
 WITH 1'3" SIDELITES



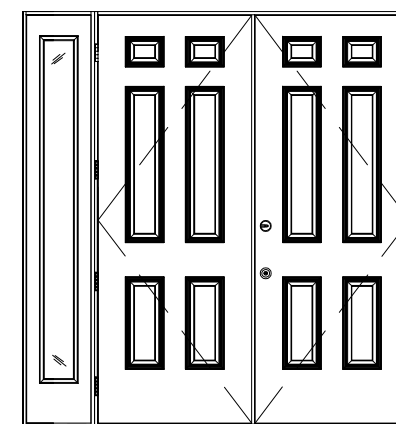
3
XX,O ELEVATION
 WITH 3'0" SIDELITE



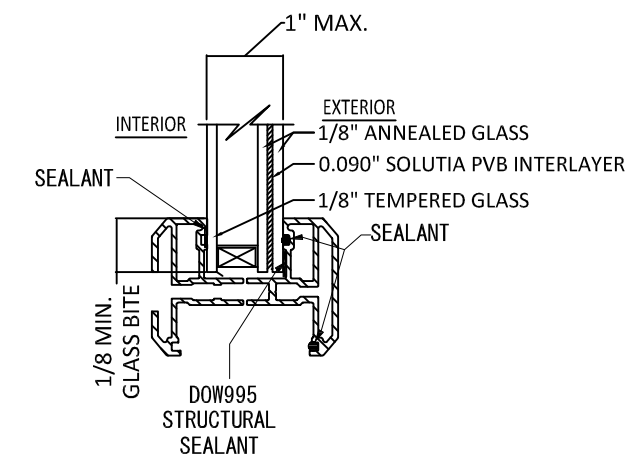
4
XX,O ELEVATION
 WITH 1'3" SIDELITE



5
XX,O ELEVATION
 WITH 3'0" SIDELITE



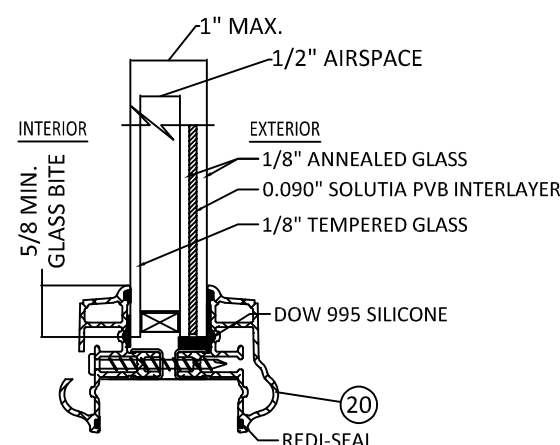
6
XX,O ELEVATION
 WITH 1'3" SIDELITE



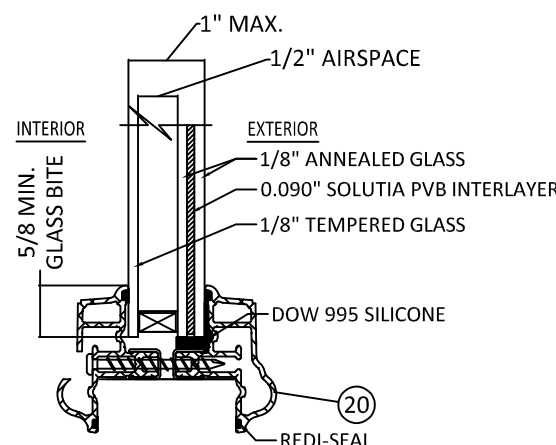
11
GLAZING DETAIL OPTION

20 1/2" MAX D.L.O. WIDTH
 78 1/2" MAX D.L.O. HEIGHT
 3-0 X 6-8 - DP 50
 6-0 X 6-8 - DP 50
 3-0 X 8-0 - DP 45
 6-0 X 8-0 - DP 45

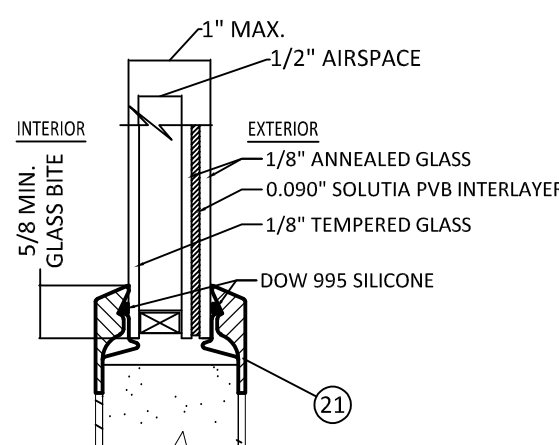
NOTES:
 1. INACTIVE AND ACTIVE DOOR PANEL ORIENTATION IS INTERCHANGEABLE.
 2. SIDELITE MAY BE USED IN LIEU OF DOOR IN CONFIGURATIONS SHOWN ABOVE AS LONG AS O.A. DIMENSIONS ARE NOT SURPASSED.



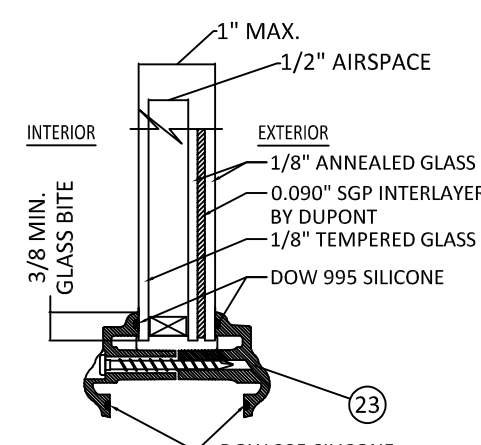
7
6'-8" GLAZING DETAIL
 20 1/2" MAX. D.L.O. WIDTH
 62 1/2" MAX. D.L.O. HEIGHT



8
8'-0" GLAZING DETAIL
 20 1/2" MAX. D.L.O. WIDTH
 78 1/2" MAX. D.L.O. HEIGHT



9
FLUSH GLAZE DETAIL
 23 7/8" MAX. D.L.O. WIDTH
 78 7/8" MAX. D.L.O. HEIGHT



10
GLAZING DETAIL
 FOR OVAL, SUNBURST, AND ROUND TOPS
 IN 6'-8" UNITS AT DP+/- 50 PSF ONLY

NOTE:
 FRACTIONAL GLAZING, INCLUDING INTERNAL GRID, BLINDS BETWEEN GLASS, DECORATIVE, EXTERNAL WROUGHT IRON AND RADIUS (SHAPED) LITES ARE APPROVED IN ALL GLAZING DETAILS SHOWN ABOVE.

PREPARED BY:



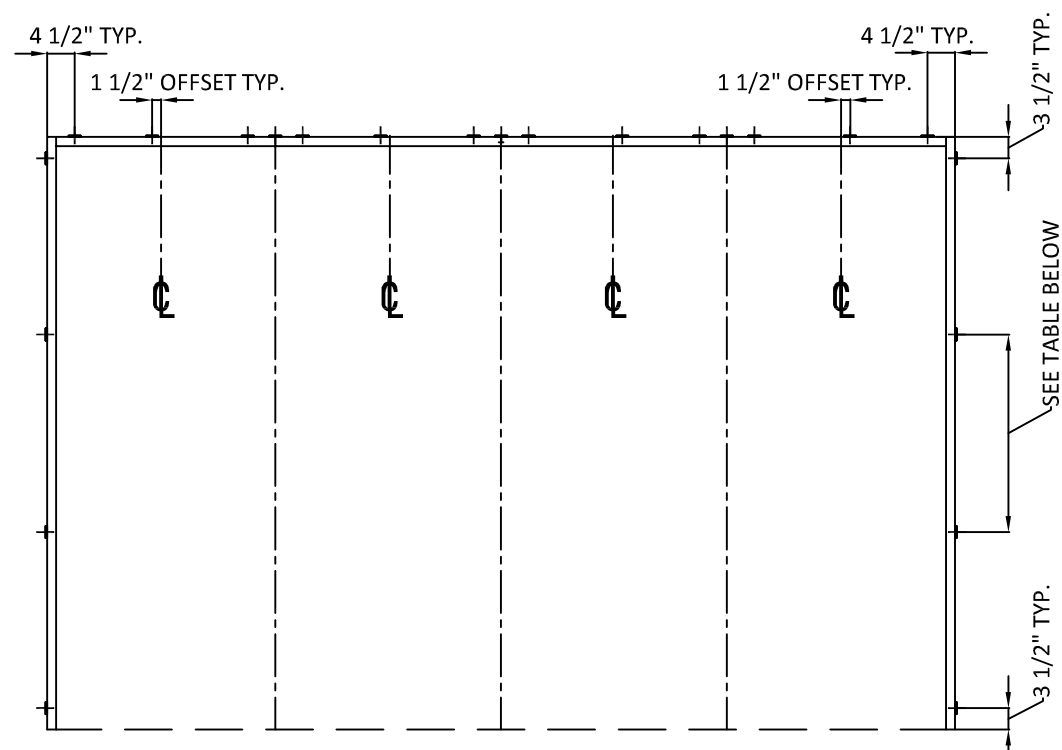
BUILDING DROPS, INC.
 398 E. DANIA BEACH BLVD., STE. 338
 DANIA BEACH, FL 33004
 PH: (954)399-8478
 FAX: (954)744.4738
 WEB: www.buildingdrops.com

TITLE: DESIGN PRO/SMOOTH PRO
 IMPACT APPROVED

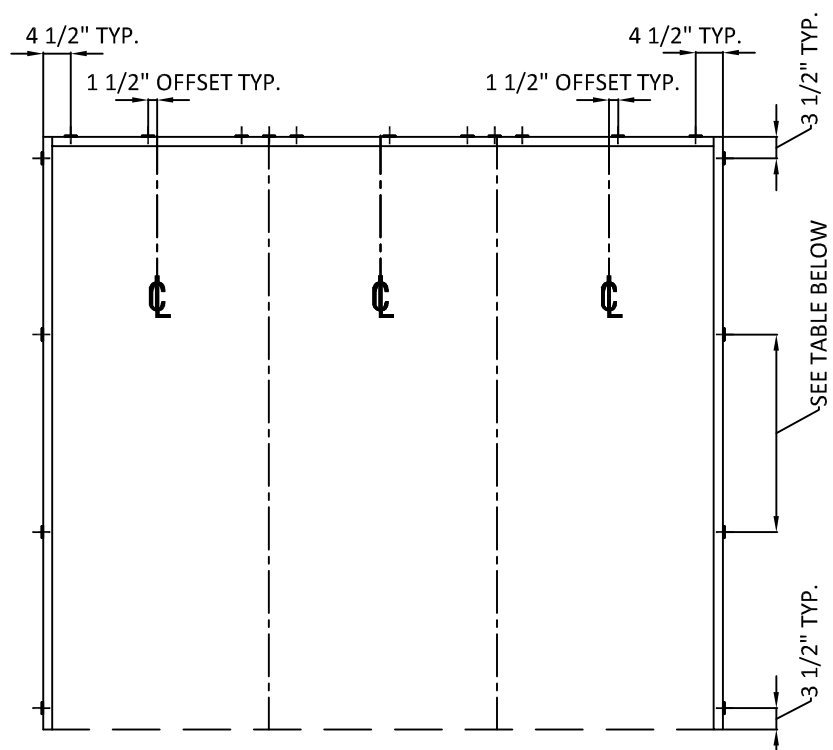
OPTIONAL 2X BUCK
 ANCHORING DETAILS

3737 LAKEPORT BLVD.,
 KLAMATH FALLS, OR 97601
 PH: (541)882-3451
 FAX: (541)850-2609

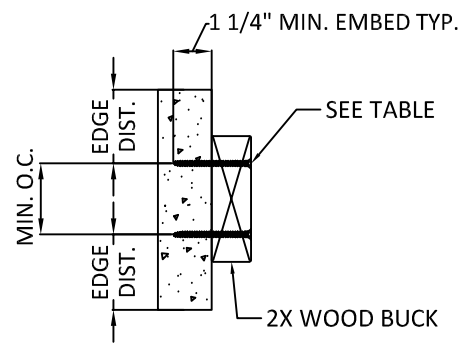
JELD-WEN
 WINDOWS & DOORS



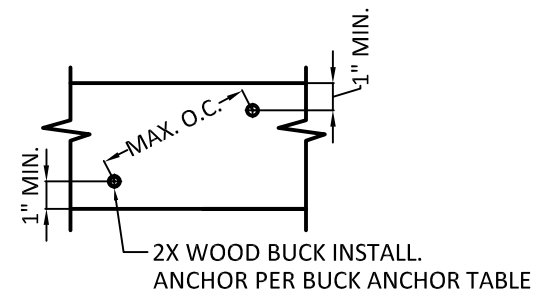
1
5 TYP. ANCHOR LAYOUT
 OPTIONAL 2X BUCK IN CONCRETE/MASONRY



2
5 TYP. ANCHOR LAYOUT
 OPTIONAL 2X BUCK IN CONCRETE/MASONRY



3
5 2X WOOD BUCK INSTALL.
 CROSS SECTION



4
5 2X WOOD BUCK INSTALL.
 SIDE VIEW

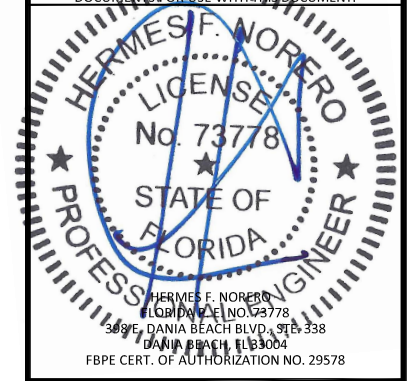
2X BUCK ANCHOR TABLE							
ANCHOR TYPE	ANCHOR SIZE	SUBSTRATE	MIN. EMBEDMENT	MIN. EDGE DIST. TO SUBSTRATE	MIN. CENTER TO CENTER DISTANCE	6'8" DOORS	8'0" DOORS
						MAX. O.C. SPACING AT JAMBS	MAX. O.C. SPACING AT JAMBS
ITW TAPCON	1/4"	CONCRETE/CMU	1-1/4"	2-1/2"	4"	25"	30-1/4"
ELCO ULTRACON	1/4"	CONCRETE/CMU	1-3/8" - CONC. 1-1/4" - CMU	1"	4"	25"	30-1/4"

NOTES:

- 2X BUCK IS NOT FOR INSTALLATION AT SILL. THRESHOLD SHALL BE FASTENED IN ACCORDANCE WITH ANCHOR LOCATIONS SHOWN ON SHEET 3.
- ANCHORS MAY BE STAGGERED AS SHOWN IN DETAIL 4/5.

REMARKS	BY	DATE
Add Multi-Point Lock & Radius Lt	GL	06/23/14
Reference DWG. #A010857A	AM	09/09/19

THE INSTALLATION DETAILS DESCRIBED HEREIN ARE GENERIC AND MAY NOT REFLECT ACTUAL CONDITIONS FOR A SPECIFIC SITE. IF SITE CONDITIONS CAUSE INSTALLATION TO DEVIATE FROM THE REQUIREMENTS DETAILED HEREIN, A LICENSED ENGINEER OR ARCHITECT SHALL PREPARE SITE SPECIFIC DOCUMENTS FOR USE WITH THIS DOCUMENT.



DATE:	02.05.14
DWG. BY:	GL/TJM
CHK. BY:	SS/MSS
SCALE:	NTS
DWG. #:	D015700
SHEET:	OF 10

PREPARED BY:



BUILDING DROPS, INC.
398 E. DANIA BEACH BLVD., STE. 338
DANIA BEACH, FL 33004
PH: (954)399-8478
FAX: (954)744.4738
WEB: www.buildingdrops.com

DESIGN PRO/SMOOTH PRO
IMPACT APPROVED

VERTICAL ASSEMBLIES

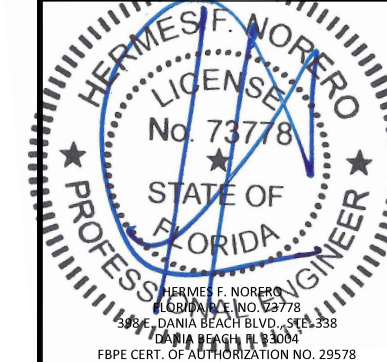
3737 LAKEPORT BLVD.,
KLAMATH FALLS, OR 97601
PH: (541)882-3451
FAX: (541)850-2609

JELDOWEN
WINDOWS & DOORS

TITLE:

REMARKS	BY	DATE
Add Multi-Point Lock & Radius Lt	GL	06/23/14
Reference DWG. #A010857A	AM	09/09/19

THE INSTALLATION DETAILS DESCRIBED HEREIN ARE GENERIC AND MAY NOT REFLECT ACTUAL CONDITIONS FOR A SPECIFIC SITE. IF SITE CONDITIONS CAUSE INSTALLATION TO DEVIATE FROM THE REQUIREMENTS DETAILED HEREIN, A LICENSED ENGINEER OR ARCHITECT SHALL PREPARE SITE SPECIFIC DOCUMENTS FOR USE WITH THIS DOCUMENT.



DATE: 02.05.14

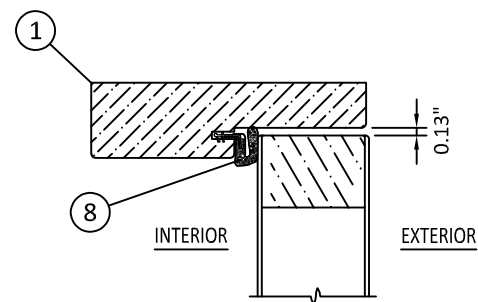
DWG. BY: GL/TJM | CHK. BY: SS/MSS

SCALE: NTS

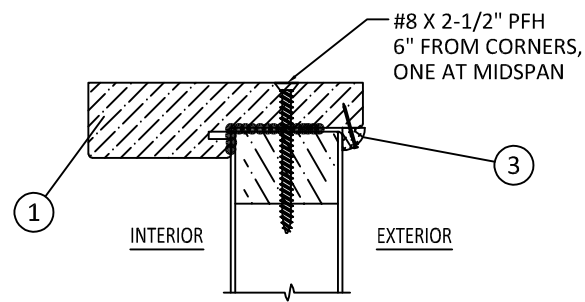
DWG. #: D015700

SHEET: OF 10

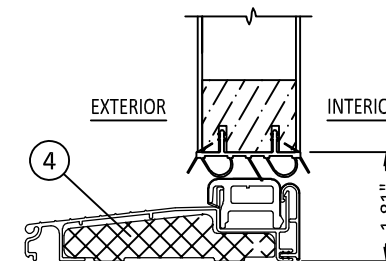
6



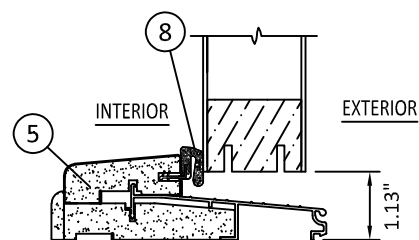
1
6 OPERABLE HEAD
OUTSWING SHOWN - INSWING SIMILAR



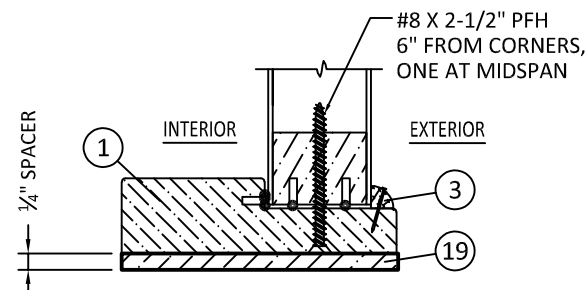
2
6 SIDELITE HEAD
OUTSWING SHOWN - INSWING SIMILAR



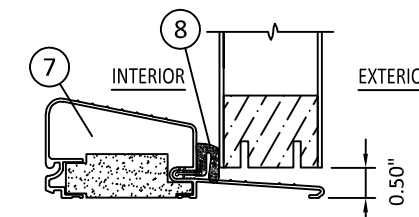
3
6 OPERABLE SILL
INSWING



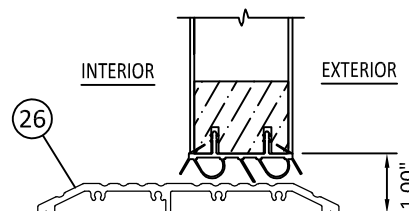
4
6 OPERABLE SILL
OUTSWING



5
6 SIDELITE SILL
OUTSWING SHOWN - INSWING SIMILAR



7
6 OPERABLE SILL
OUTSWING
OPTIONAL AFCO H-497



8
6 OPERABLE ADA SILL
INSWING/OUTSWING

PREPARED BY:



BUILDING DROPS, INC.
 398 E. DANIA BEACH BLVD., STE. 338
 DANIA BEACH, FL 33004
 PH: (954)399-8478
 FAX: (954)744.4738
 WEB: www.buildingdrops.com

DESIGN PRO/SMOOTH PRO
 IMPACT APPROVED

HORIZONTAL ASSEMBLIES

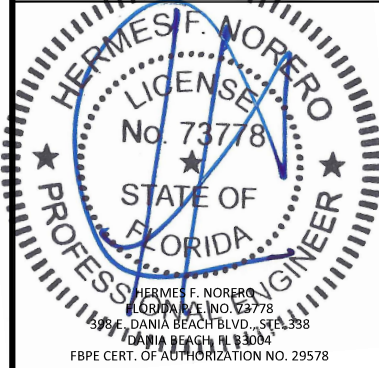
3737 LAKEPORT BLVD.,
 KLAMATH FALLS, OR 97601
 PH: (541)882-3451
 FAX: (541)850-2609

JELD-WEN
 WINDOWS & DOORS

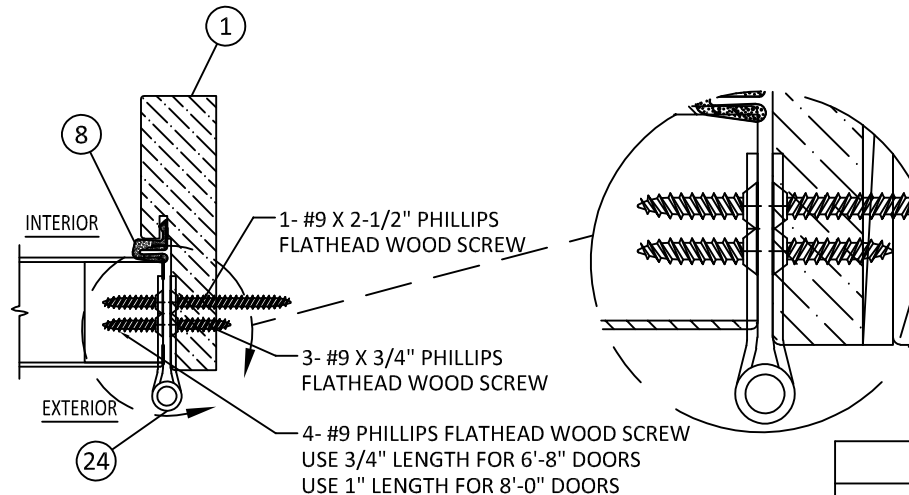
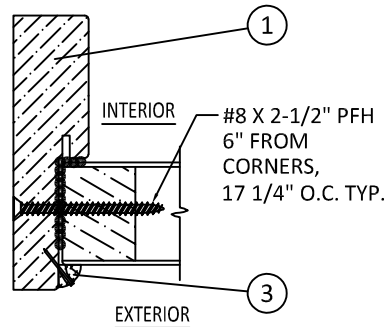
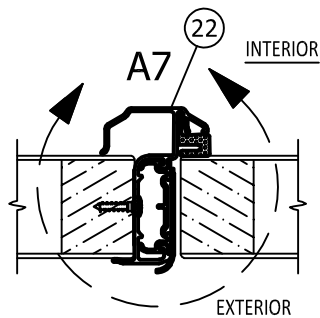
TITLE:

REMARKS	BY	DATE
Add Multi-Point Lock & Radius Lt.	GL	06/23/14
Reference DWG. #A010857A	AM	09/09/19

THE INSTALLATION DETAILS DESCRIBED HEREIN ARE GENERIC AND MAY NOT REFLECT ACTUAL CONDITIONS FOR A SPECIFIC SITE. IF SITE CONDITIONS CAUSE INSTALLATION TO DEVIATE FROM THE REQUIREMENTS DETAILED HEREIN, A LICENSED ENGINEER OR ARCHITECT SHALL PREPARE SITE SPECIFIC DOCUMENTS FOR USE WITH THIS DOCUMENT.



DATE:	02.05.14
DWG. BY:	GL/TJM
CHK. BY:	SS/MSS
SCALE:	NTS
DWG. #:	D015700
SHEET:	OF 10



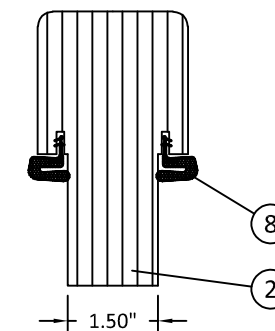
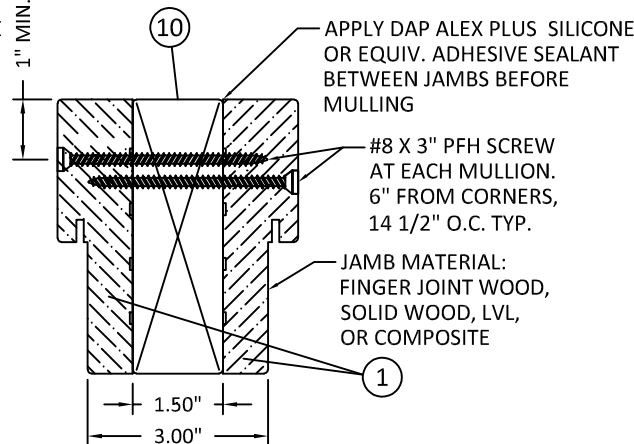
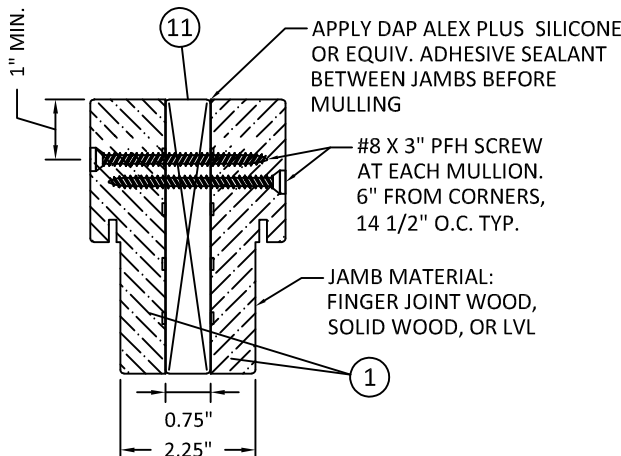
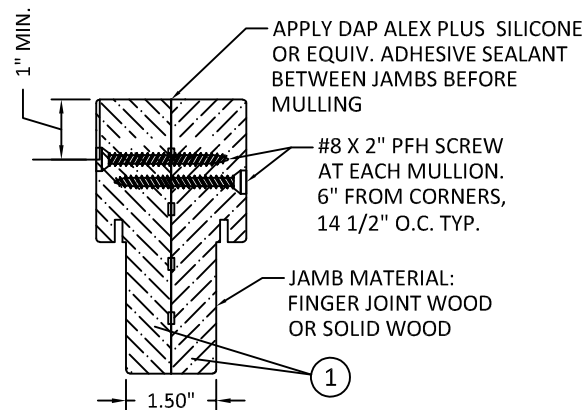
HINGE DETAIL AT JAMB:
 PLACE #9 X 2-1/2" PFH SCREW
 NEXT TO WEATHERSTRIP

HINGE SCHEDULE	
DOOR HEIGHT	QUANTITY
6'-8"	3
8'-0"	4

1 MEETING STILE AT ASTRAGAL
 7 OUTSWING SHOWN - INSWING SIMILAR

2 FIXED JAMB
 7 OUTSWING SHOWN - INSWING SIMILAR

3 HINGE JAMB
 7 OUTSWING SHOWN - INSWING SIMILAR



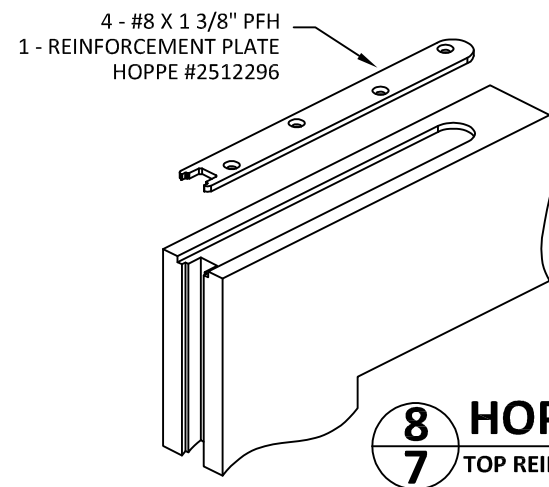
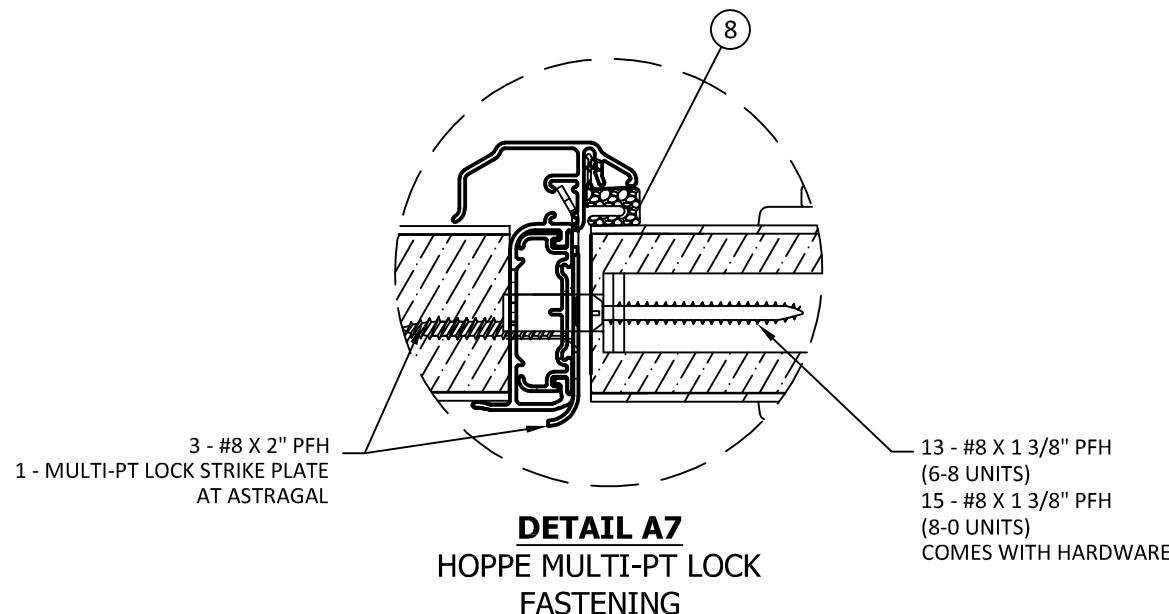
4 BACK-TO-BACK JAMB
 7 NO MULLION REINFORCEMENT

5 BACK-TO-BACK JAMB
 7 1X MULLION REINFORCEMENT

6 BACK-TO-BACK JAMB
 7 2X MULLION REINFORCEMENT

7 INTEGRAL MULLION
 7 FOR 6'8" AND 8'0" UNITS

NOTE:
 ALL SOLID WOOD USED IN MULLION ASSEMBLIES ABOVE
 TO BE PONDEROSA PINE (MIN. S.G. = 0.45) OR GREATER.



8 HOPPE MULTI-POINT LOCK
 7 TOP REINFORCEMENT PLATE - ACTIVE PANEL ONLY

PREPARED BY:

BUILDING DROPS, INC.

398 E. DANIA BEACH BLVD., STE. 338
DANIA BEACH, FL 33004
PH: (954)399-8478
FAX: (954)744.4738
WEB: www.buildingdrops.com

DESIGN PRO/SMOOTH PRO
IMPACT APPROVED

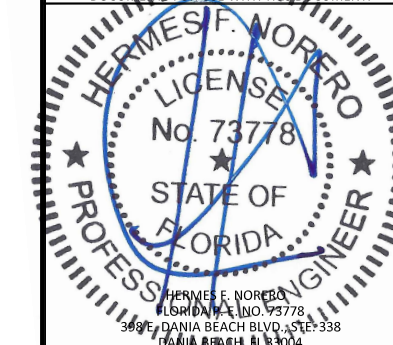
WOOD SUBSTRATES

3737 LAKEPORT BLVD.,
KLAMATH FALLS, OR 97601
PH: (541)882-3451
FAX: (541)850-2609

TITLE:

REMARKS	BY	DATE
Add Multi-Point Lock & Radius Lt	GL	06/23/14
Reference DWG. #A010857A	AM	09/09/19

THE INSTALLATION DETAILS DESCRIBED HEREIN ARE GENERIC AND MAY NOT REFLECT ACTUAL CONDITIONS FOR A SPECIFIC SITE. IF SITE CONDITIONS CAUSE INSTALLATION TO DEVIATE FROM THE REQUIREMENTS DETAILED HEREIN, A LICENSED ENGINEER OR ARCHITECT SHALL PREPARE SITE SPECIFIC DOCUMENTS FOR USE WITH THIS DOCUMENT.



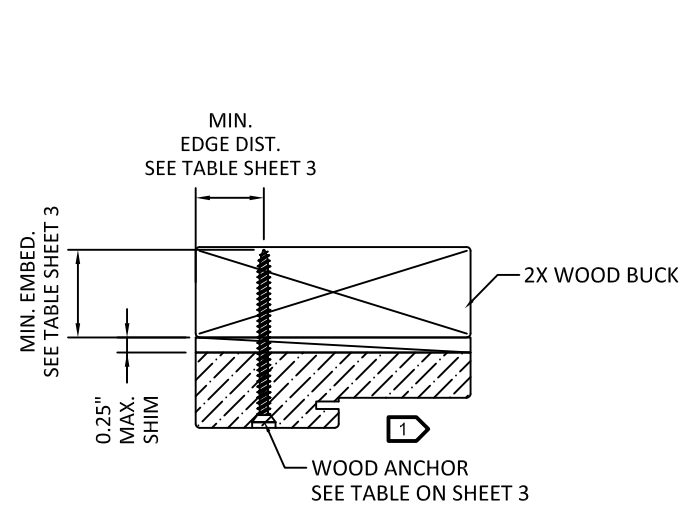
DATE: 02.05.14

DWG. BY: GL/TJM CHK. BY: SS/MSS

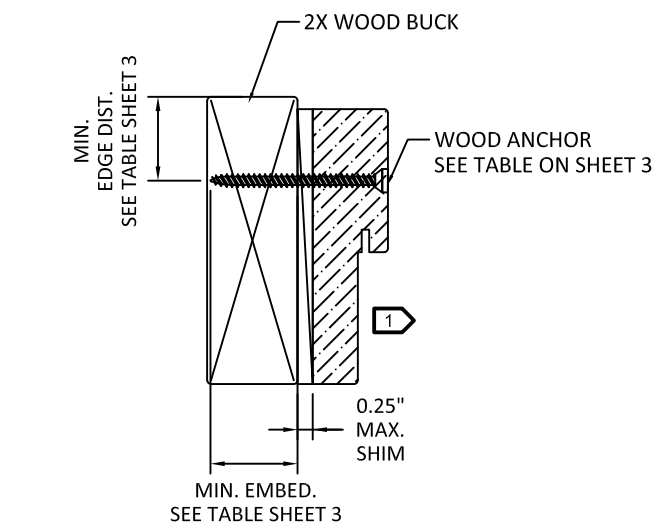
SCALE: NTS

DWG. #: D015700

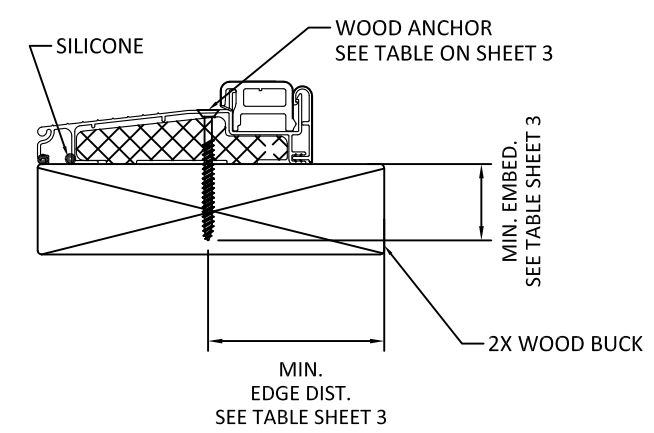
SHEET: OF 10



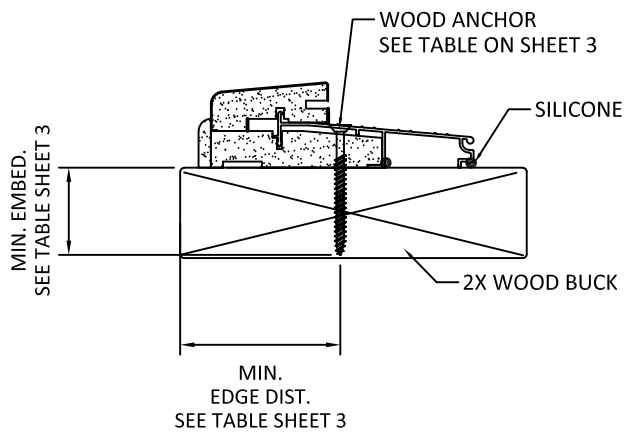
1
8 **HEAD (TYPICAL)**
OUTSWING SHOWN - INSWING SIMILAR



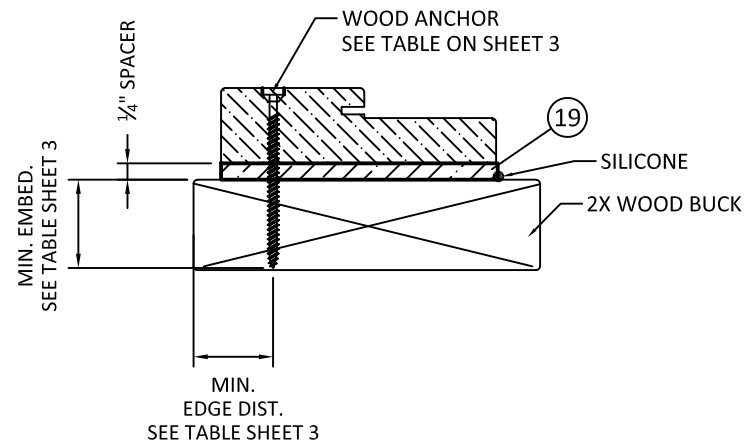
2
8 **JAMB (TYPICAL)**
OUTSWING SHOWN - INSWING SIMILAR



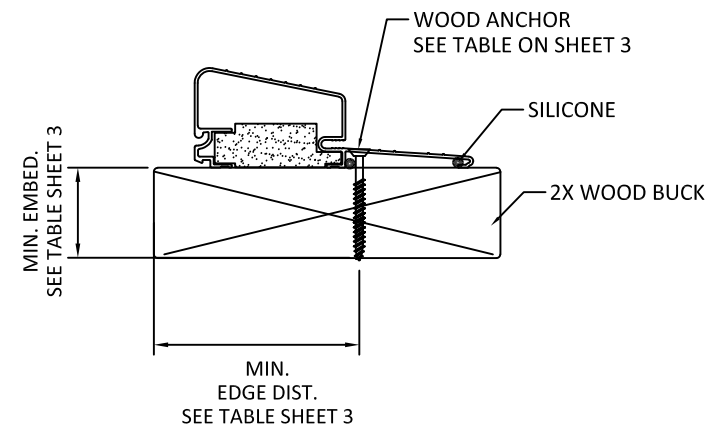
3
8 **OPERABLE SILL**
INSWING



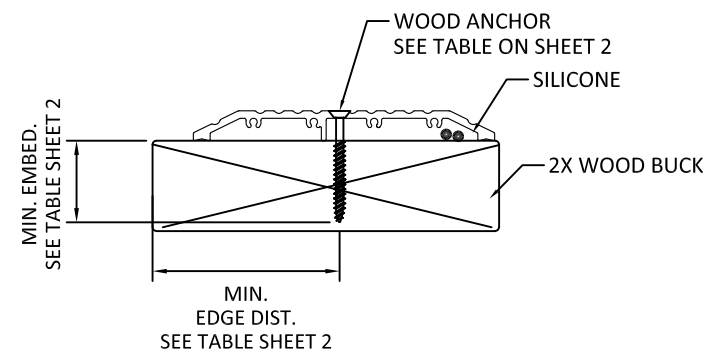
4
8 **OPERABLE SILL**
OUTSWING



5
8 **SIDELITE SILL**
OUTSWING SHOWN - INSWING SIMILAR



6
8 **OPERABLE SILL**
HIGH BUMP OUTSWING
AFCO H-497



7
8 **ADA THRESHOLD**

1 OPTIONALLY, ANCHOR CAN BE PLACED IN NARROW SECTION OF HEAD OR JAMB AS LONG AS MINIMUM EMBEDMENT AND EDGE DISTANCE ARE ACHIEVED.

PREPARED BY:

BUILDING DROPS, INC.
 398 E. DANIA BEACH BLVD., STE. 338
 DANIA BEACH, FL 33004
 PH: (954)399-8478
 FAX: (954)744-4738
 WEB: www.buildingdrops.com

DESIGN PRO/SMOOTH PRO
 IMPACT APPROVED

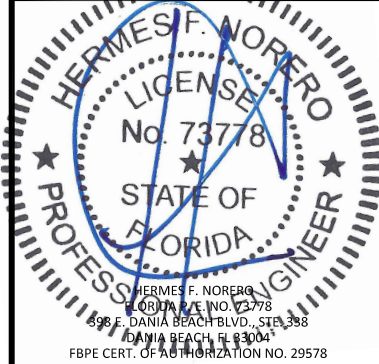
CONCRETE SUBSTRATES

3737 LAKEPORT BLVD.,
 KLAMATH FALLS, OR 97601
 PH: (541)882-3451
 FAX: (541)850-2609

TITLE:

REMARKS	BY	DATE
Add Multi-Point Lock & Radius Lt	GL	06/23/14
Reference DWG. #A010857A	AM	09/09/19

THE INSTALLATION DETAILS DESCRIBED HEREIN ARE GENERIC AND MAY NOT REFLECT ACTUAL CONDITIONS FOR A SPECIFIC SITE. IF SITE CONDITIONS CAUSE INSTALLATION TO DEVIATE FROM THE REQUIREMENTS DETAILED HEREIN, A LICENSED ENGINEER OR ARCHITECT SHALL PREPARE SITE SPECIFIC DOCUMENTS FOR USE WITH THIS DOCUMENT.



DATE: 02.05.14

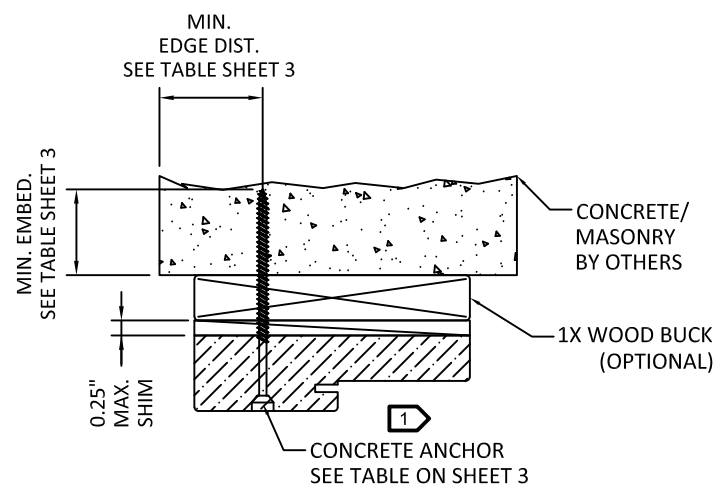
DWG. BY: GL/TJM | CHK. BY: SS/MSS

SCALE: NTS

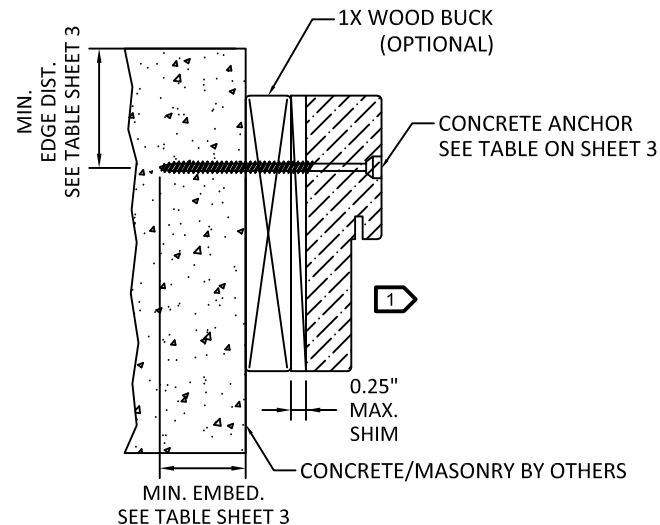
DWG. #: D015700

SHEET: OF 10

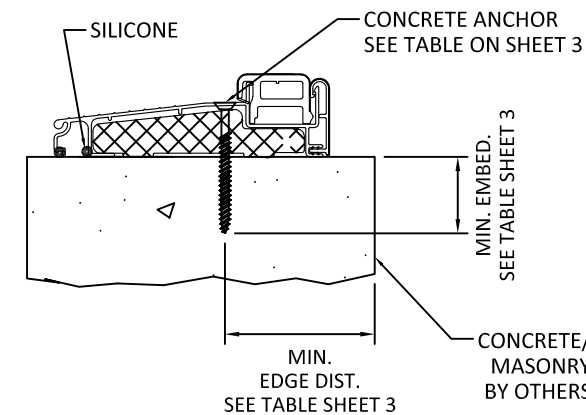
9



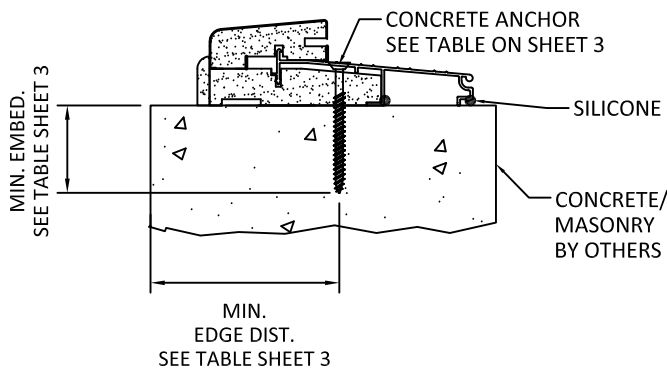
1
9 HEAD (TYPICAL)
 OUTSWING SHOWN - INSWING SIMILAR



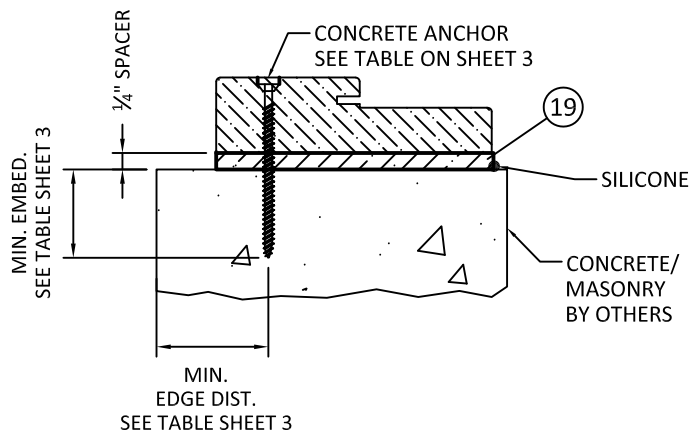
2
9 JAMB (TYPICAL)
 OUTSWING SHOWN - INSWING SIMILAR



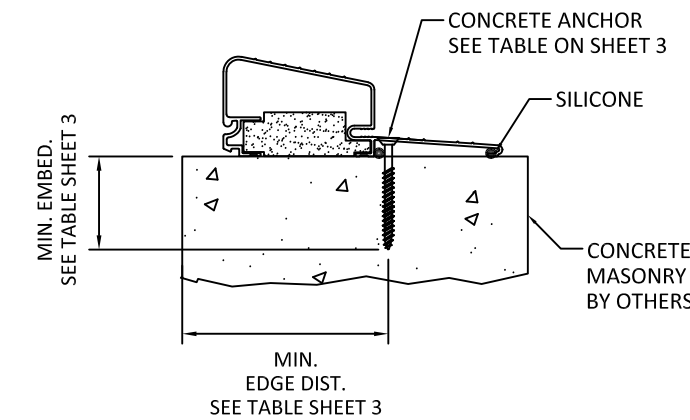
3
9 OPERABLE SILL
 INSWING



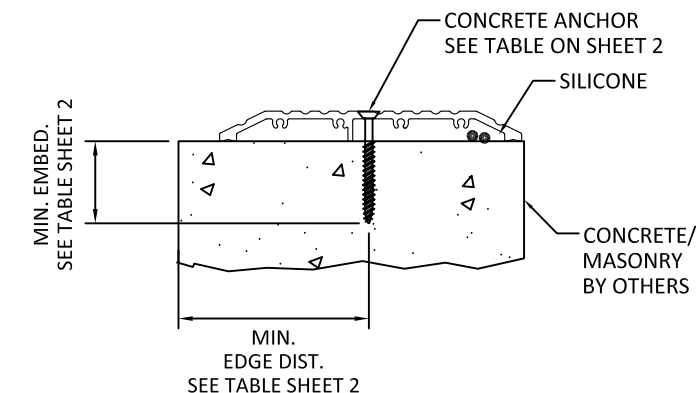
4
9 OPERABLE SILL
 OUTSWING



5
9 SIDELITE SILL
 OUTSWING SHOWN - INSWING SIMILAR



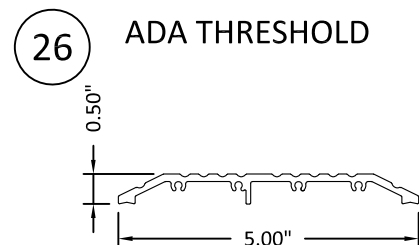
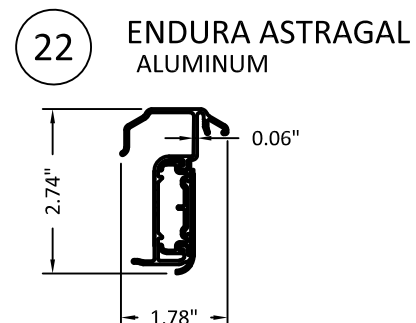
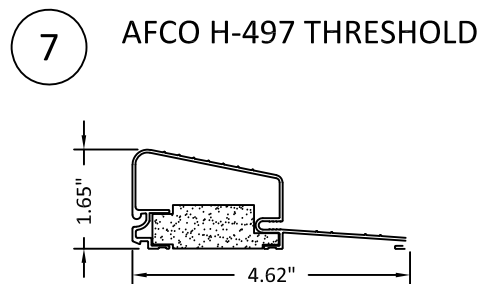
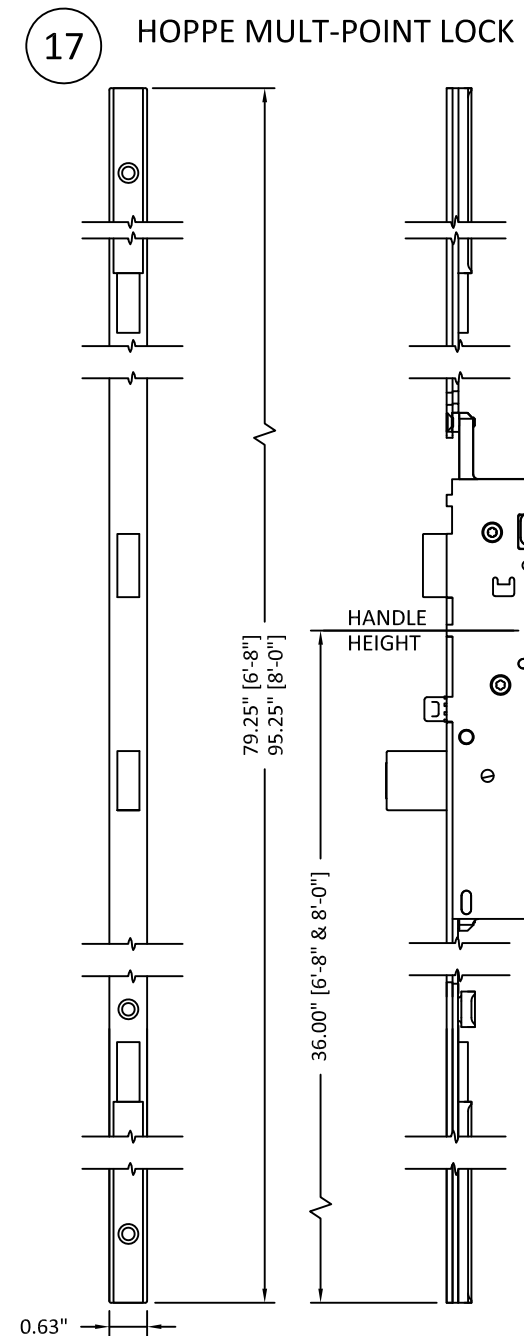
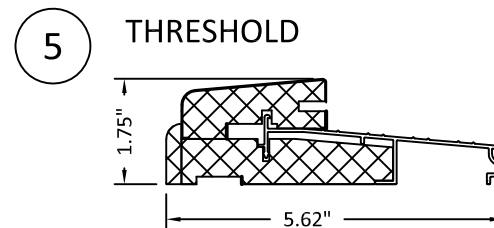
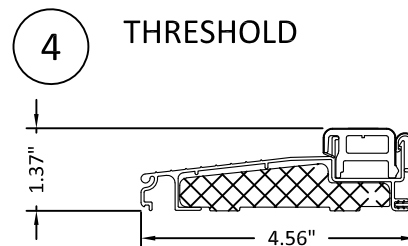
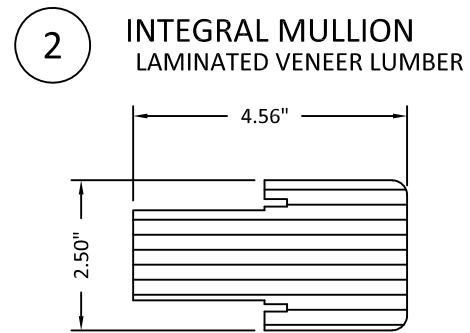
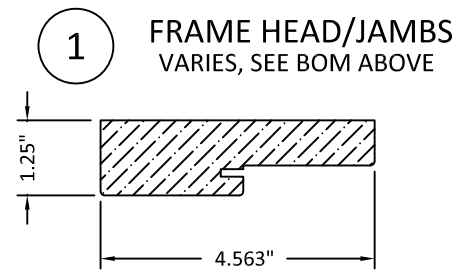
6
9 OPERABLE SILL
 HIGH BUMP OUTSWING
 AFCO H-497



7
9 ADA THRESHOLD

1 OPTIONALLY, ANCHOR CAN BE PLACED IN NARROW SECTION OF HEAD OR JAMB AS LONG AS MINIMUM EMBEDMENT AND EDGE DISTANCE ARE ACHIEVED.

BILL OF MATERIALS		
ITEM#	DESCRIPTION	MATERIAL
1	FRAME HEAD/JAMBS	FINGER-JOINTED PINE
		SOLID PINE
		LAMINATED VENEER LUMBER
		COMPOSITE
2	INTEGRAL MULL	LAMINATED VENEER LUMBER
3	SIDELITE STOP	WOOD
4	THRESHOLD	-
5	THRESHOLD	-
6	(NOT USED)	-
7	AFCO H-497 THRESHOLD	-
8	WEATHERSTRIP	URETHANE FOAM & POLYETHYLENE
9	NON-COMPRESSION SHIM (0.25" MAX. THK.)	COMPOSITE
10	2X WOOD (S.G. MUST BE 0.55 OR GREATER)	WOOD
11	1X WOOD (S.G. MUST BE 0.55 OR GREATER)	WOOD
12	#10 WOOD INSTALLATION SCREW W/ 1 1/2" MIN. EMBEDMENT	STEEL
13	CONC./CMU ANCHOR (SEE ANCHOR TABLE SHEETS 3 & 5)	STEEL
14	(NOT USED)	-
15	LOCK SERIES 400	STEEL
16	DEADBOLT SERIES 780	STEEL
17	HOPPE MULTI-POINT HARDWARE HLS9000	STEEL
18	(NOT USED)	-
19	PRESSURE TREATED SILL SPACER USED FOR FIXED PANEL	WOOD
20	ODL LITE KIT (LMI)	6063-T6 ALUMINUM
21	FLUSH GLAZING LEG	FIBERGLASS
22	ENDURA ASTRAGAL	6063-T6 ALUMINUM
23	ODL LIPLITE KIT (RADIUS LITES)	PC ABS
24	BUTT HINGE (SEE SCHEDULE SHEET 7)	STEEL
25	PU DOOR CORE	-
26	ADA THRESHOLD	-



PREPARED BY:

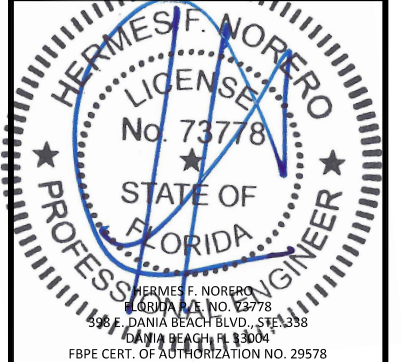
BUILDING DROPS, INC.
398 E. DANIA BEACH BLVD., STE. 338
DANIA BEACH, FL 33004
PH: (954)399-8478
FAX: (954)744-4738
WEB: www.buildingdrops.com

TITLE: DESIGN PRO/SMOOTH PRO
IMPACT APPROVED
COMPONENTS AND BILL OF MATERIALS

3737 LAKEPORT BLVD.,
KLAMATH FALLS, OR 97601
PH: (541)882-3451
FAX: (541)850-2609

REMARKS	BY	DATE
Add Multi-Point Lock & Radius Lt	GL	06/23/14
Reference DWG. #A010857A	AM	09/09/19

THE INSTALLATION DETAILS DESCRIBED HEREIN ARE GENERIC AND MAY NOT REFLECT ACTUAL CONDITIONS FOR A SPECIFIC SITE. IF SITE CONDITIONS CAUSE INSTALLATION TO DEVIATE FROM THE REQUIREMENTS DETAILED HEREIN, A LICENSED ENGINEER OR ARCHITECT SHALL PREPARE SITE SPECIFIC DOCUMENTS FOR USE WITH THIS DOCUMENT.



DATE: 02.05.14

DWG. BY: GL/TJM | CHK. BY: SS/MSS

SCALE: NTS

DWG. #: D015700

SHEET: OF 10

10